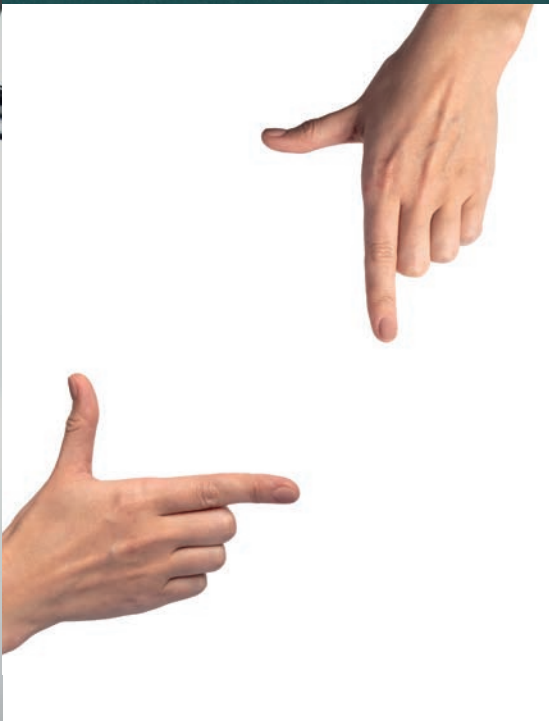




BEYOND **Logistic**





q9



q9



slide

4 legs

bench

slide w/armrests

q9 showing



Un **concetto innovativo di monoscocca**, dal disegno distintivo e dalle dimensioni generose.

Nata per arredare **con importanza** e grande carattere sia il **front office** sia le **meeting room**.

Disponibile sia con pannelli da tappezzare sia con cornice per schienale in rete, risulta perfetta in tutte le situazioni.

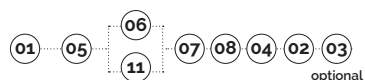
*An **innovative monocoque concept**, with an eye-catching design and generous dimensions.*

*Designed to furnish both **front office** and **meeting rooms** and **confer importance** and great character.*

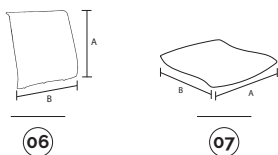
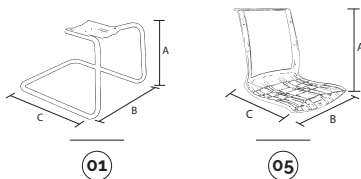
Available both with panels to be upholstered and with optional frame for a mesh backrest, making it perfect in all settings.

q9

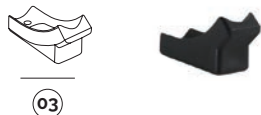
slide



main component sizes



optional



01 q9-base a slitta in tubo d.25 tappi esclusi

q9-slide frame pipe d.25 without caps

code	finishing	q.kit	q.pack	a	b	c	kg.x1	vol.x1
110503-131	● nero/black	x1	64	400	560	550	4,10	mc. 0.032
110504-131	● grigio/grey	x1	64	400	560	550	4,10	mc. 0.032
110510-111	● cromato/chrome	x1	64	400	560	550	4,10	mc. 0.032

02 pinza due pioli in polietilene nera

pliers two pin black

code	finishing	q.kit
134003-003	● nero/black	x6

03 piedino antiribaltamento in plastica nera

plastic black feet anti-upsetting

code	finishing	q.kit	q.pack	kg.x1	vol.x1
134303-006	● nero/black	x2	100	0,025	mc. 0.0001

04 tappo copritesta d.25

cover head cap d.25

code	finishing	q.kit
134110-250	● cromato/chrome	x2
134103-250	● nero/black	x2

05 q9-monoscocca in plastica+confezione

q9-plastic shell + packaging

code	finishing	q.kit	q.pack	a	b	c	kg.x1	vol.x1
133903-007	● nero/black	x1	5	550	480	480	3,20	mc. 0.021
133905-007	○ bianco/white	x1	5	550	480	480	3,20	mc. 0.021

06 q9-pannello schienale in plastica da tappezzare

q9-frame back in plastic for upholstery

code	finishing	q.kit	q.pack	a	b	kg.x1	vol.x1
132103-061	● nero/black	x1	10	460	460	1,30	mc. 0.01
132105-012	○ bianco/white	x1	10	460	460	1,30	mc. 0.01

07 q9-pannello sedile in plastica da tappezzare

q9-frame seat in plastic for upholstery

code	finishing	q.kit	q.pack	a	b	kg.x1	vol.x1
132203-040	● nero/black	x1	10	480	480	0,80	mc. 0.009

08 vite testa cilindrica a croce m6x16 zincata (per fissare scocca)

screw cylindrical cross head m6x16 zinc (for fix shell)

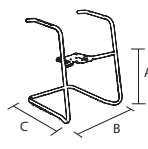
code	finishing	q.kit
117711-191	○ zincata/zinc	x4

q9

slide w/armrests



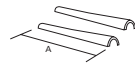
main component sizes



09



11



12

optional



03



09 q9-base a slitta con braccioli in tubo d.25 tappi esclusi
q9-slide frame pipe d.25 with arms without caps

code	finishing	q.kit	q.pack	a	b	c	kg.x1	vol.x1
110503-095	● nero/black	x1	36	400	560	550	5,60	mc. 0.045
110504-132	● grigio/grey	x1	36	400	560	550	5,60	mc. 0.045
110510-132	● cromato/chrome	x1	36	400	560	550	5,60	mc. 0.045

10 tappo copritesta cromato d.25
cover head cap d.25 chrome

code	finishing	q.kit
134110-250	● cromato/chrome	x2

11 q9-cornice schienale in plastica per rete
q9-plastic back frame for mesh

code	finishing	q.kit	q.pack	a	b	kg.x1	vol.x1
132103-060	● nero/black	x1	20	460	460	0,52	mc. 0.007
132105-011	○ bianco/white	x1	20	460	460	0,52	mc. 0.007

12 q9-bracciolo destro e sinistro plastica conico
q9-black plastic conic arm

code	finishing	q.kit	q.pack	a	kg.x1	vol.x1
131703-041	● nero/black	x2	200	205	0,04	mc. 0.0002

13 confezioni viti trucciolari tsp+ d.4x25 zincate (per fissare braccioli)
shaving screws tsp+ d.4x25 zinc package

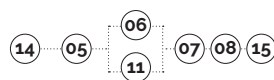
code	finishing	q.kit	q.pack
117011-072	○ zincata/zinc	x4	200

for the components below, see page 168

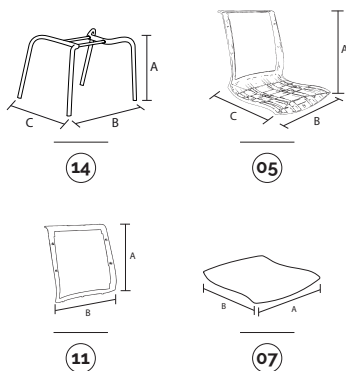
02 03 04 05 07 08

q9

4-legs



main component sizes



14 q9-telaio 4 gambe in tubo d.25 q9-pipe d.25 frame 4 legs

code	finishing	q.kit	q.pack	a	b	c	kg.x1	vol.x1
110103-035	● nero/black	x1	150	400	530	580	3,20	mc. 0.03
110104-035	● grigio/grey	x1	150	400	530	580	3,20	mc. 0.03
110110-035	● cromato/chrome	x1	150	400	530	580	3,20	mc. 0.03

15 confezione puntali a testa sferica d.25 cap d.25 spherical head black package

code	finishing	q.kit	q.pack
137003-075	● nero/black	x4	120

05 q9-monoscocca in plastica + confezione q9-plastic shell + packaging

code	finishing	q.kit	q.pack	a	b	c	kg.x1	vol.x1
133903-007	● nero/black	x1	5	550	480	480	3,20	mc. 0.021
133905-007	○ bianco/white	x1	5	550	480	480	3,20	mc. 0.021

11 q9-cornice schienale in plastica per rete q9-plastic back frame for mesh

code	finishing	q.kit	q.pack	a	b	kg.x1	vol.x1
132103-060	● nero/black	x1	20	460	460	0,52	mc. 0.007
132105-011	○ bianco/white	x1	20	460	460	0,52	mc. 0.007

07 q9-pannello sedile in plastica da tappezzare q9-frame seat in plastic for upholstery

code	finishing	q.kit	q.pack	a	b	kg.x1	vol.x1
132203-040	● nero/black	x1	10	480	480	0,80	mc. 0.009

08 vite testa cilindrica a croce m6x16 zincata (per fissare scocca) screw cylindrical cross head m6x16 zinc (for fix shell)

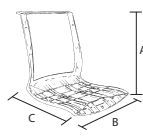
code	finishing	q.kit
117711-191	○ zincata/zinc	x4

q9

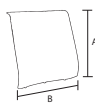
4-legs/backrest option



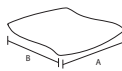
main component sizes



05



06



07

05 q9-monoscocca in plastica+confezione
q9-plastic shell + packaging

code	finishing	q.kit	q.pack	a	b	c	kg.x1	vol.x1
133903-007	● nero/black	x1	5	550	480	480	3,20	mc. 0,021
133905-007	○ bianco/white	x1	5	550	480	480	3,20	mc. 0,021

06 q9-pannello schienale in plastica da tappezzare
q9-frame back in plastic for upholstery

code	finishing	q.kit	q.pack	a	b	kg.x1	vol.x1
132103-061	● nero/black	x1	10	460	460	1,30	mc. 0,01
132105-012	○ bianco/white	x1	10	460	460	1,30	mc. 0,01

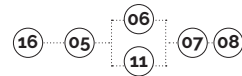
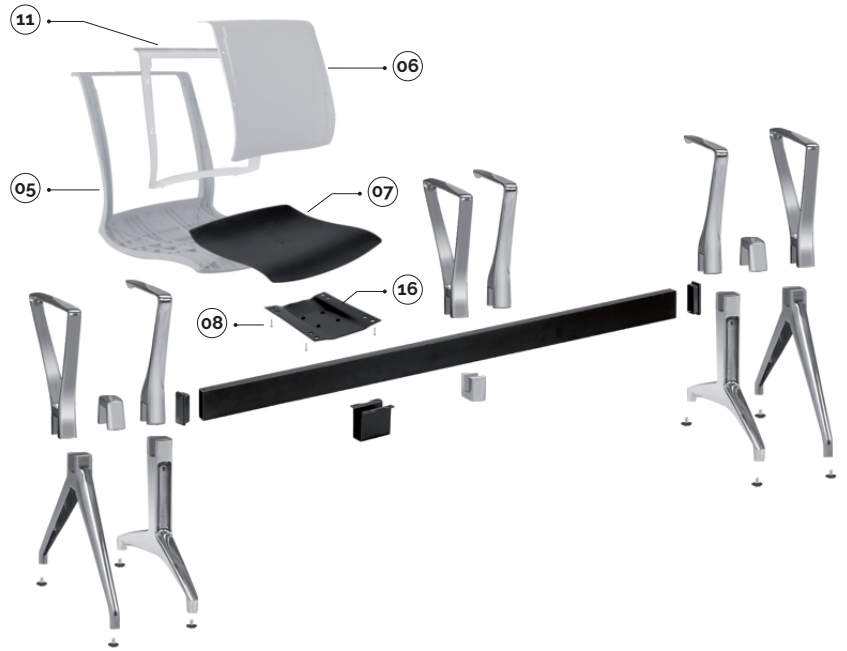
07 q9-pannello sedile in plastica da tappezzare
q9-frame seat in plastic for upholstery

code	finishing	q.kit	q.pack	a	b	kg.x1	vol.x1
132203-040	● nero/black	x1	10	480	480	0,80	mc. 0,009

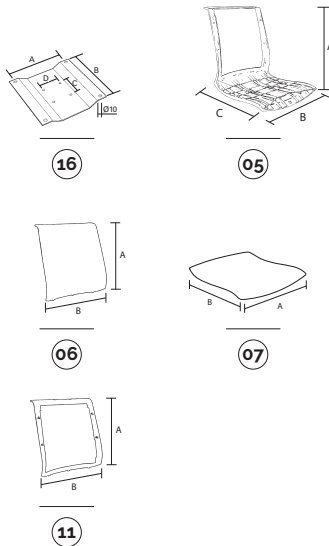
08 vite testa cilindrica a croce m6x16 zincata (per fissare scocca)
screw cylindrical cross head m6x16 zinc (for fix shell)

code	finishing	q.kit
117711-191	○ zincata/zinc	x4

q9 bench



main component sizes



16 g2p(01)-piastra per attacco scocca su panca
g2p(01)-metal plate for shell fixing on benches

code	finishing	q.kit	q.pack	a	b	c	d	kg.x1	vol.x1
110703-013	● nero/black	x1	25	153	200	65	55	0,85	mc. 0002

05 q9-monoscocca in plastica+confezione
q9-plastic shell + packaging

code	finishing	q.kit	q.pack	a	b	c	kg.x1	vol.x1
133903-007	● nero/black	x1	5	550	480	480	3,20	mc. 0.021
133905-007	○ bianco/white	x1	5	550	480	480	3,20	mc. 0.021

06 q9-pannello schienale in plastica da tappezzare
q9-frame back in plastic for upholstery

code	finishing	q.kit	q.pack	a	b	kg.x1	vol.x1
132103-061	● nero/black	x1	10	460	460	1,30	mc. 0.01
132105-012	○ bianco/white	x1	10	460	460	1,30	mc. 0.01

11 q9-cornice schienale in plastica per rete
q9-plastic back frame for mesh

code	finishing	q.kit	q.pack	a	b	kg.x1	vol.x1
132103-060	● nero/black	x1	20	460	460	0,52	mc. 0.007
132105-011	○ bianco/white	x1	20	460	460	0,52	mc. 0.007

07 q9-pannello sedile in plastica da tappezzare
q9-frame seat in plastic for upholstery

code	finishing	q.kit	q.pack	a	b	kg.x1	vol.x1
132203-040	● nero/black	x1	10	480	480	0,80	mc. 0.009

08 vite testa cilindrica a croce m6x16 zincata (per fissare scocca)
screw cylindrical cross head m6x16 zinc (for fix shell)

code	finishing	q.kit
117711-191	○ zincata/zinc	x4

for the bench components, see page 201

optionals

OPTIONAL
bench connector



E-USB NEW
bench plug

JIM NEW
bench leg



plastic

APOLL
bench arm

90GM
bench leg



metal

90GF
bench leg

100GM
bench leg



200GM
bench leg

PIONEER
bench arm



aluminium

CUT
bench leg

SLIM
bench leg

CUT
bench arm

SLIM
bench arm

