

tapas

The new
Ho.Re.Ca
family



developed for indoor & outdoor

tapas

The new
Ho.Re.Ca
family



Progettato da
Edi&Paolo Ciani Design
Designed by
Edi&Paolo Ciani Design

alba.



developed for indoor & outdoor

Tapas: la nuova famiglia Ho.Re.Ca.

Una collezione **innovativa, ampia e completa**, dal design moderno, minimal ed essenziale, in cui ogni aspetto è curato nel minimo dettaglio per dare un tocco di stile a diverse soluzioni di arredo.

Un progetto caratterizzato da componenti versatili e funzionali. **Un concept dedicato all'ambiente Ho.Re.Ca.** ideato per offrire la giusta sintesi tra design e versatilità.

La famiglia **Tapas**, grazie a **particolari finiture dei materiali**, può soddisfare le necessità di arredo **sia di ambienti indoor che outdoor**.

Tapas: the new Ho.Re.Ca family.

An **innovative, extensive and complete** collection, with a modern, minimalist and essential design, where every aspect has been carefully curated, right down to the smallest detail, to give a touch of style to a broad range of furnishing solutions.

A project characterised by versatile and functional components. **A concept dedicated to Ho.Re.Ca settings**, designed to offer the perfect pairing of design and versatility.

Thanks to the **special material finishes**, the **Tapas** product range is the perfect solution for furnishing **both indoor and outdoor environments**.



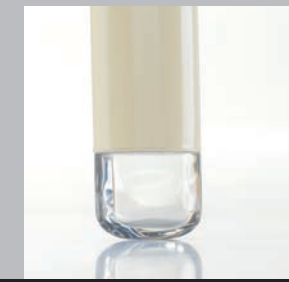
BEYOND **Design**



piedino nero
black glide

piedino trasparente
transparent glide

avorio
ivory ral 1013



 *available for outdoor*

corten
corten



 *available for outdoor*

cromato
chrome



grigio
grey ig2621



 *available for outdoor*

nero
black



 *available for outdoor*

Le 4 finiture avorio, corten, grigio e nero sono disponibili sia in versione indoor che in versione outdoor.

The 4 finishes in ivory, corten, grey and black are suitable for both the indoor and outdoor versions.



BISTROT
SNACK
Café

For

tapas stool & high table

developed for indoor & outdoor

tapas

stool



Sgabello disponibile in due altezze:
Stool available in two heights:
H = 650 / 750 mm



CATAS EN16139



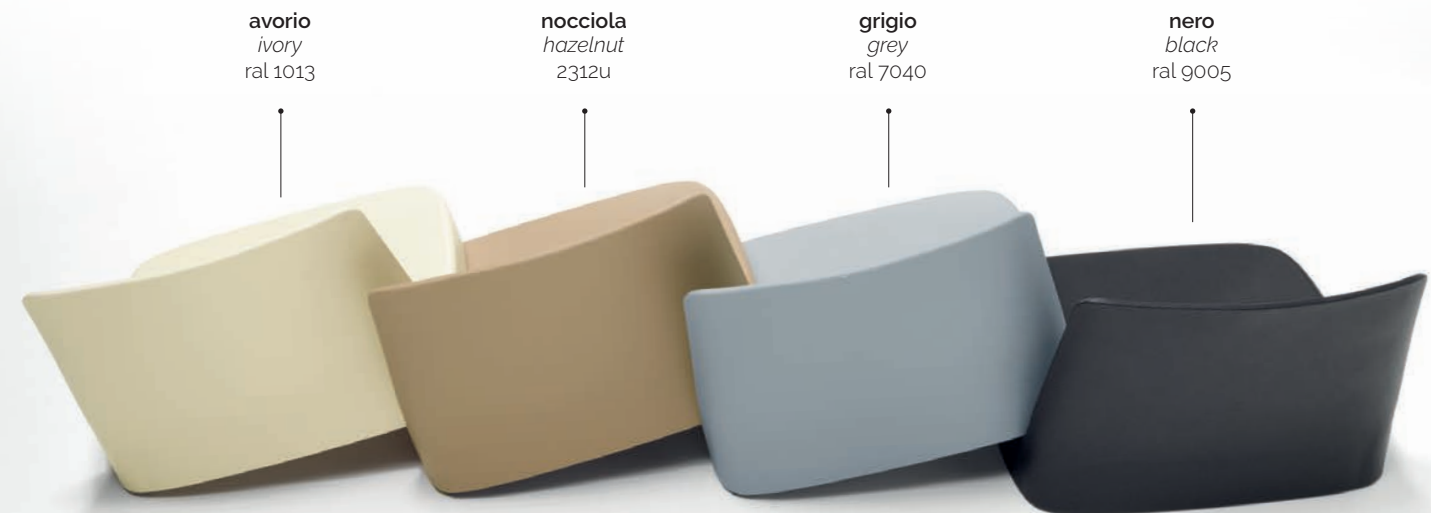
Certificazione
Certification

► Una scocca dal design minimal disponibile in quattro eleganti colori abbinabili al poggiatesta. Lo **sgabello Tapas** è disponibile in due altezze e in cinque finiture di gambe. I piedini neri o trasparenti sono un elemento fortemente caratterizzante.

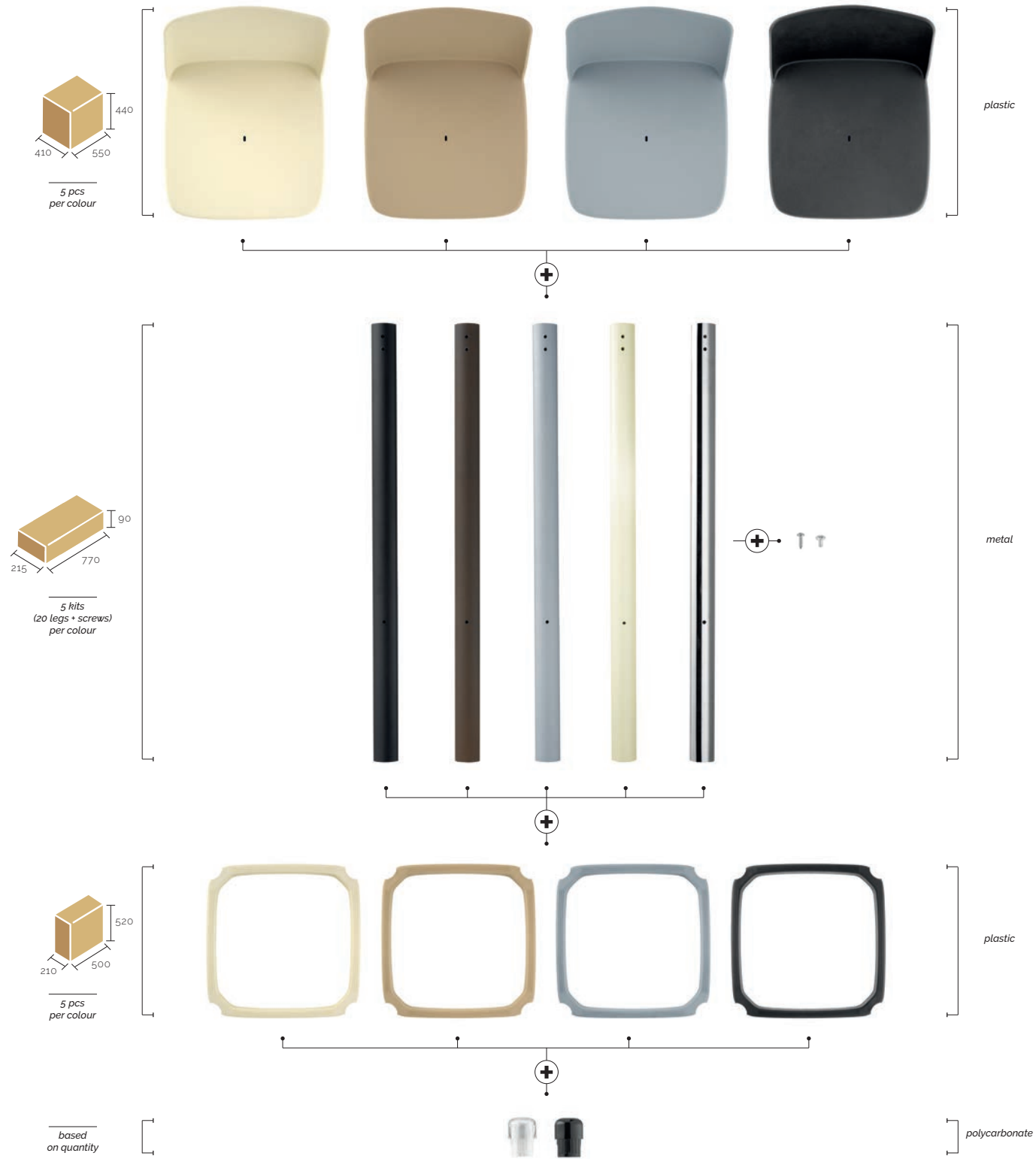
Adatto sia per ambienti indoor che outdoor.

*The seat shell features a minimalist design and comes in four elegant colours that can be matched to the footrest. The **Tapas stool** is available in two heights and five finishes for the legs. The black or transparent feet elements add great character.*

Suitable for both indoor and outdoor settings.



tapas stool assembly



tapas stool & high table



developed for indoor & outdoor

tapas

high table



Top quadrato
Square top

Dimensioni disponibili:
Available dimensions:
L = 590 / 690 / 790 mm

Top rotondo
Round top

Dimensioni disponibili:
Available dimensions:
L = 590 / 690 / 790 mm



Certificazione
Certification

CATAS EN15372

Il **tavolo alto** prevede cinque finiture per le gambe, e piedini neri o trasparenti. In nero o avorio la finitura del top, disponibile quadrato o rotondo in tre diverse dimensioni. Nero o avorio anche il supporto e il pratico poggiatesta.

Adatto sia per ambienti indoor che outdoor.

The **high table** features five finishes for the legs, and black or transparent feet. The top is available in black or ivory, square or round, and in three different sizes. The table frame and practical footrest are also available in black or ivory.

Suitable for both indoor and outdoor settings.

Si consigliano le seguenti misure di top:
The following top measurements are recommended:

- **high table:** 590 / 690 mm



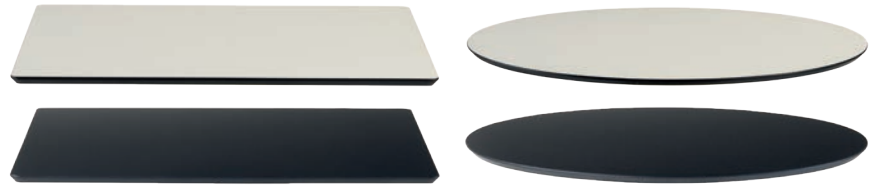
tapas high table assembly

L = 590 / 690 / 790 mm

ø = 590 / 690 / 790 mm

based on quantity

based on quantity



HPL



plastic



metal

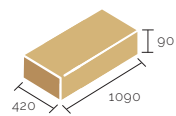


plastic



polycarbonate

based on quantity



2 hits
(8 legs + screws)
per colour

tapas high table,
low table & stool



developed for indoor & outdoor

tapas

low table



Top quadrato
Square top

Dimensioni disponibili:
Available dimensions:
L = 590 / 690 / 790 mm

Top rotondo
Round top

Dimensioni disponibili:
Available dimensions:
L = 590 / 690 / 790 mm



Certificazione
Certification

CATAS EN15372

Il **tavolo basso** prevede cinque finiture per le gambe e piedini neri o trasparenti.
Il top è disponibile in tre diverse dimensioni, con finiture nero e avorio, anche per il supporto.

Adatto sia per ambienti indoor che outdoor.

The **low table** features five finishes for the legs, and black or transparent feet.
The top is available in three different sizes, and a black or ivory finish, including for the table frame.

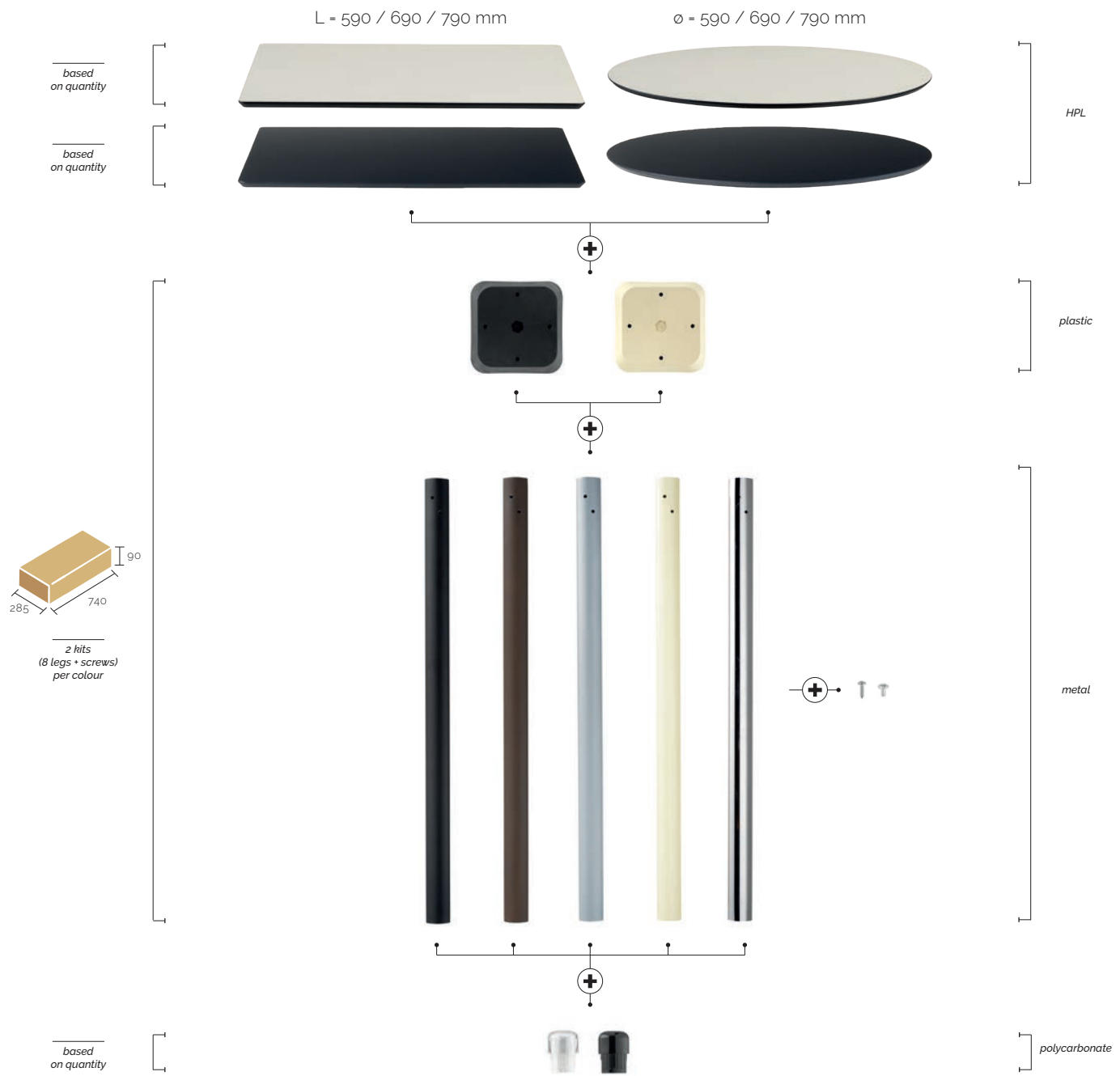
Suitable for both indoor and outdoor settings.

Si consigliano le seguenti misure di top:
The following top measurements are recommended:

- **low table:** 690 / 790 mm



tapas low table assembly



developed for indoor & outdoor

tapas

coffee table



Top quadrato
Square top

Dimensioni disponibili:
Available dimensions:
L = 590 / 690 / 790 mm

Top rotondo
Round top

Dimensioni disponibili:
Available dimensions:
L = 590 / 690 / 790 mm

Il **tavolo da caffè** è la nuova soluzione di arredo che completa la famiglia **Tapas**. Prevede cinque finiture per le gambe, e piedini neri o trasparenti. I top abbinabili sono disponibili in tre misure e in due diversi formati, nelle colorazioni avorio e nero. Le stesse colorazioni sono disponibili anche per il supporto.

Adatto sia per ambienti indoor che outdoor.

*The **coffee table** is the new furnishing solution that completes the **Tapas** family. The legs are available in five finishes, and with black or transparent feet. The matching tops are available in three sizes and two different formats, in ivory and black, with matching colours also available for the table frame.*

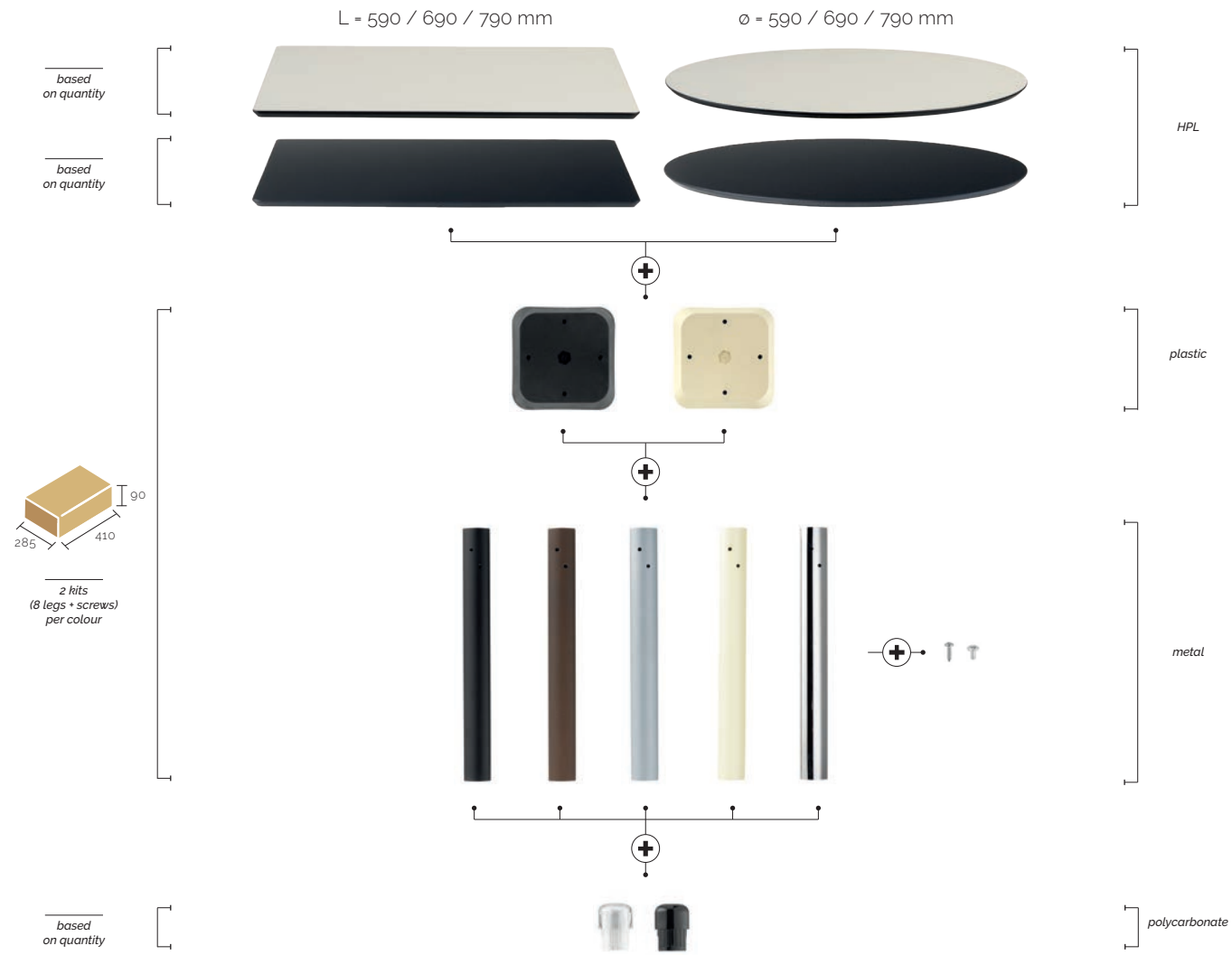
Suitable for both indoor and outdoor settings.

Si consiglia la seguente misura di top:
The following top measurement is recommended:

- **coffee table:** 590 mm



tapas coffee table assembly



developed for outdoor

metal shell
tapas
The new
Ho.Re.Ca
family



Progettato da
R&D AlbaComponents
Designed by
R&D AlbaComponents

alba.



Tapas: i nuovi telai outdoor.

Il nuovo progetto Tapas dedicato all'outdoor offre una gamma di sedute sviluppate per adattarsi perfettamente all'ambiente da esterno.

I nuovi telai dedicati all'outdoor, 4 gambe, sgabello e slitta, sono realizzati **interamente in metallo**: una struttura che si sviluppa in un unico pezzo.

Le linee del prodotto vengono valorizzate dalla **particolare trama metallica effetto rete** applicata al sedile e allo schienale: un pregiato e distintivo dettaglio.

Tapas: new frames for outdoor settings.

The new Tapas project dedicated to outdoor settings offers a range of chairs developed to adapt perfectly to outdoor environments.

The new frames specifically designed for the outdoors, 4 legs, stool and sled, are made **entirely of metal**: a structure made from one single piece of material.

The product lines are enhanced by the **novel metal mesh effect texture** applied to the seat and backrest: a detail which adds prestige and distinction.



tapas metal shell

developed for outdoor

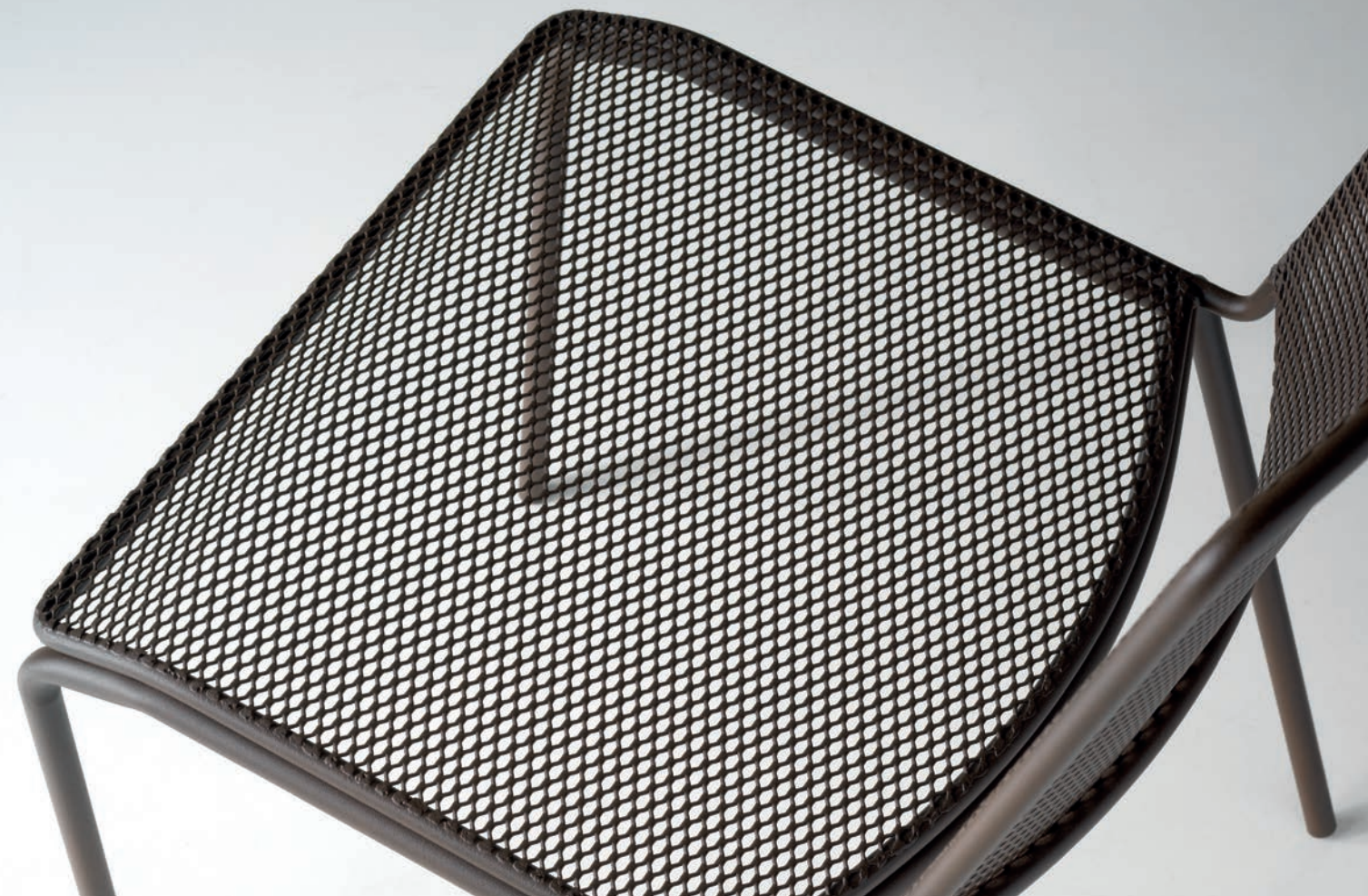
tapas

4-legs/metal shell



► La struttura è interamente in metallo, proposta su **telaio 4 gambe** ed è disponibile verniciata avorio o nella moderna finitura corten.

*The structure is entirely in metal, features a **4-leg frame** and is available painted ivory or with the modern corten finish.*



developed for outdoor

tapas

stool/metal shell



▼
Anche lo **sgabello** vanta la particolare trama effetto rete. La struttura è interamente in metallo ed è disponibile nelle finiture avorio o corten.

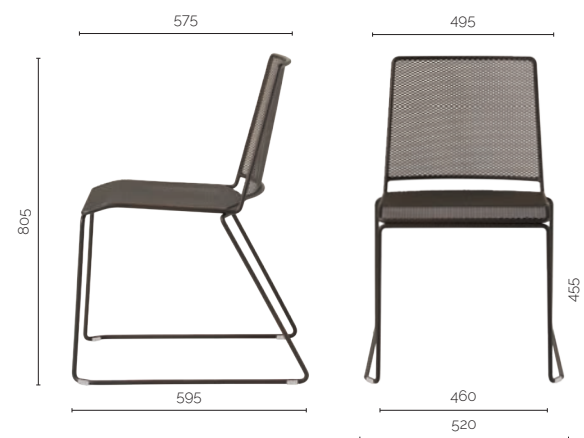
*The **stool** also boasts the distinctive mesh-effect texturing. The structure is entirely in metal and available in ivory or corten finishes.*



developed for outdoor

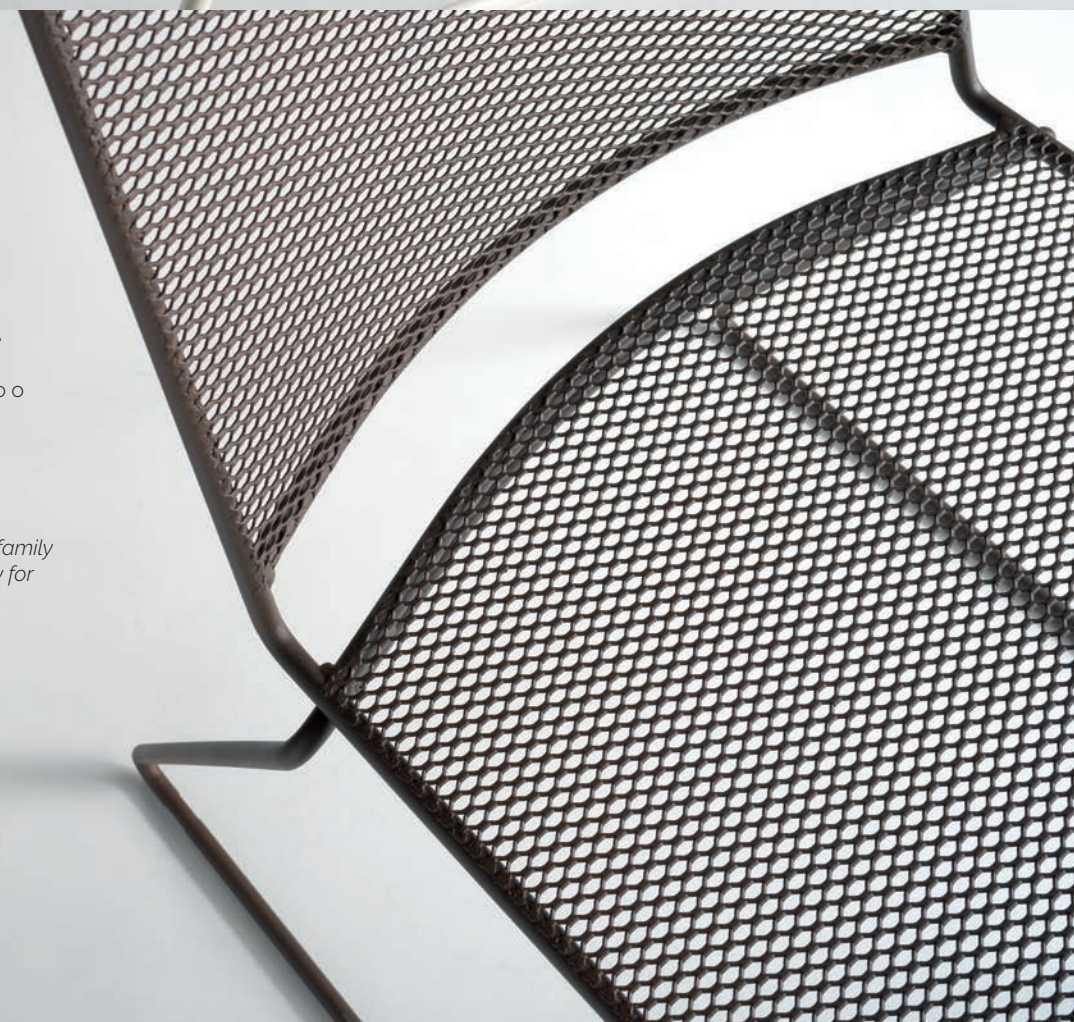
tapas

slide/metal shell



Il **telaio a slitta** completa la nuova famiglia di sedute **Tapas** sviluppate appositamente per l'outdoor. È disponibile con verniciatura avorio o corten.

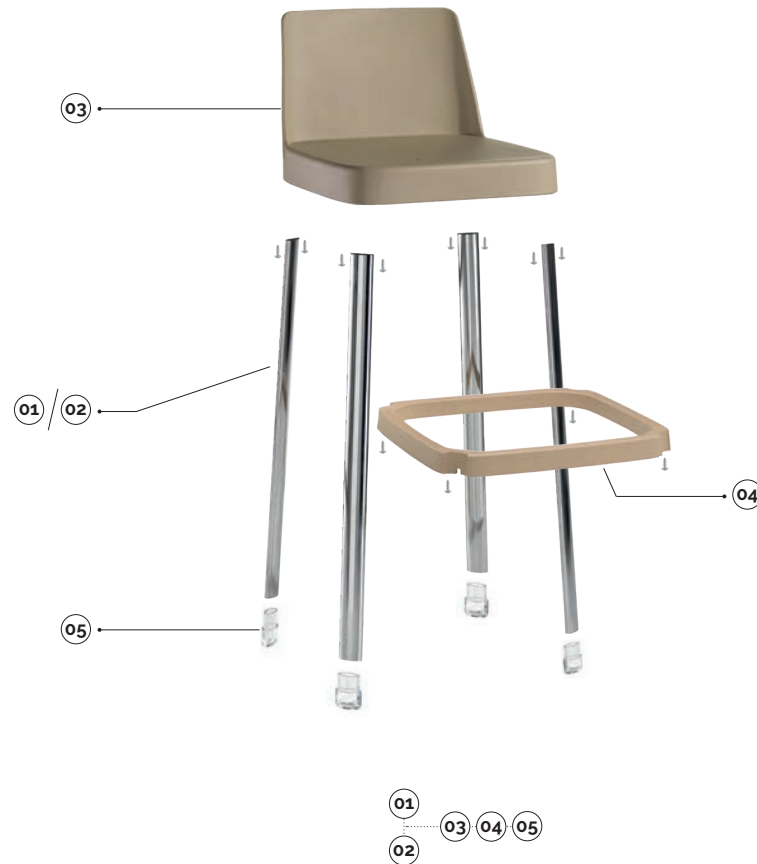
The **slide frame** completes the new family of **Tapas** chairs designed specifically for the outdoors. Available with ivory or corten paint.





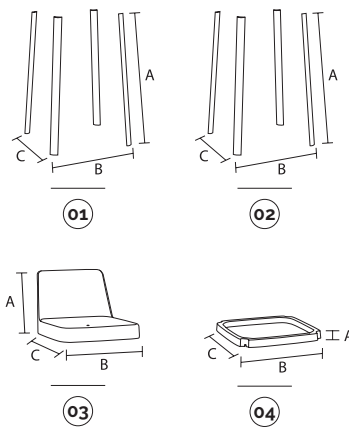
tapas

stool



- avorio/ivory ral 1013
- nocciola/hazelnut 2312u
- grigio/grey ral 7040
- nero/black ral 9005

Corten
● *Specifica caratteristica del Corten è la variabilità nella tonalità della finitura.
* A specific characteristic of Corten is the variability in the tone of the finish.



01 tapas-sgabello h650 kit n°4 gambe con viti tapas-kit stool h650 n°4 legs with screws

| code | finishing | q.kit | q.pack | a | b | c | kg.x1 | vol.x1 |
|------------|-------------------------|-------|--------|-----|-----|-----|-------|------------|
| 110603-637 | ● nero/black | x1 | 5 | 650 | 410 | 410 | 3.54 | mc. 0.0035 |
| 110604-637 | ● grigio/grey ig2621 | x1 | 5 | 650 | 410 | 410 | 3.54 | mc. 0.0035 |
| 110605-637 | ● avorio/ivory ral 1013 | x1 | 5 | 650 | 410 | 410 | 3.54 | mc. 0.0035 |
| 110607-637 | ● corten* | x1 | 5 | 650 | 410 | 410 | 3.54 | mc. 0.0035 |
| 110610-637 | ● cromato/chrome | x1 | 5 | 650 | 410 | 410 | 3.54 | mc. 0.0035 |
| 110603-638 | ● nero/black | x1 | 5 | 650 | 410 | 410 | 3.54 | mc. 0.0035 |
| 110604-638 | ● grigio/grey ig2621 | x1 | 5 | 650 | 410 | 410 | 3.54 | mc. 0.0035 |
| 110605-638 | ● avorio/ivory ral 1013 | x1 | 5 | 650 | 410 | 410 | 3.54 | mc. 0.0035 |
| 110607-638 | ● corten* | x1 | 5 | 650 | 410 | 410 | 3.54 | mc. 0.0035 |

02 tapas-sgabello h750 kit n°4 gambe con viti tapas-kit stool h750 n°4 legs with screws

| code | finishing | q.kit | q.pack | a | b | c | kg.x1 | vol.x1 |
|------------|-------------------------|-------|--------|-----|-----|-----|-------|------------|
| 110603-635 | ● nero/black | x1 | 5 | 750 | 422 | 422 | 3.54 | mc. 0.0035 |
| 110604-635 | ● grigio/grey ig2621 | x1 | 5 | 750 | 422 | 422 | 3.54 | mc. 0.0035 |
| 110605-635 | ● avorio/ivory ral 1013 | x1 | 5 | 750 | 422 | 422 | 3.54 | mc. 0.0035 |
| 110607-635 | ● corten* | x1 | 5 | 750 | 422 | 422 | 3.54 | mc. 0.0035 |
| 110610-635 | ● cromato/chrome | x1 | 5 | 750 | 422 | 422 | 3.54 | mc. 0.0035 |
| 110603-636 | ● nero/black | x1 | 5 | 750 | 422 | 422 | 3.54 | mc. 0.0035 |
| 110604-636 | ● grigio/grey ig2621 | x1 | 5 | 750 | 422 | 422 | 3.54 | mc. 0.0035 |
| 110605-636 | ● avorio/ivory ral 1013 | x1 | 5 | 750 | 422 | 422 | 3.54 | mc. 0.0035 |
| 110607-636 | ● corten* | x1 | 5 | 750 | 422 | 422 | 3.54 | mc. 0.0035 |

03 tapas-scocca seduta sgabello tapas-stool plastic shell

| code | finishing | q.kit | q.pack | a | b | c | kg.x1 | vol.x1 |
|------------|---------------------------|-------|--------|-----|-----|-----|-------|-------------|
| 130603-003 | ● nero/black ral 9005 | x1 | 5 | 276 | 382 | 458 | 2.06 | mc. 0.02045 |
| 130604-001 | ● grigio/grey ral 7040 | x1 | 5 | 276 | 382 | 458 | 2.06 | mc. 0.02045 |
| 130605-003 | ● avorio/ivory ral 1013 | x1 | 5 | 276 | 382 | 458 | 2.06 | mc. 0.02045 |
| 130607-003 | ● nocciola/hazelnut 2312u | x1 | 5 | 276 | 382 | 458 | 2.06 | mc. 0.02045 |

04 tapas-poggiapiedi sgabello tapas-stool footrest

| code | finishing | q.kit | q.pack | a | b | c | kg.x1 | vol.x1 |
|------------|---------------------------|-------|--------|----|-----|-----|-------|-------------|
| 130603-000 | ● nero/black ral 9005 | x1 | 5 | 34 | 417 | 417 | 0.874 | mc. 0.01092 |
| 130604-000 | ● grigio/grey ral 7040 | x1 | 5 | 34 | 417 | 417 | 0.874 | mc. 0.01092 |
| 130605-002 | ● avorio/ivory ral 1013 | x1 | 5 | 34 | 417 | 417 | 0.874 | mc. 0.01092 |
| 130607-000 | ● nocciola/hazelnut 2312u | x1 | 5 | 34 | 417 | 417 | 0.874 | mc. 0.01092 |

05 tapas-piedino ellittico 40x20 h30 tapas-elliptical glide 40x20 h30

| code | finishing | q.kit | kg.x1 |
|------------|---------------------------|-------|--------------------|
| 134303-045 | ● nero/black | x4 | 0.0174 mc. 0.00003 |
| 134306-005 | ○ trasparente/transparent | x4 | 0.0174 mc. 0.00003 |

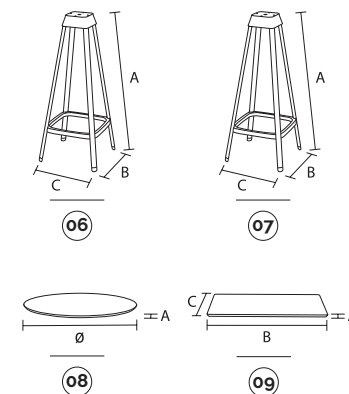
tapas

high table



- avorio/ivory ral1013
- nero/black ral9005

Corten
● *Specifica caratteristica del Corten è la variabilità nella tonalità della finitura.
* A specific characteristic of Corten is the variability in the tone of the finish.



06 tapas-kit gambe tavolo alto con viti + supporto + poggiaiedi avorio r1013 tapas-kit high table legs with screws + table frame + footrest ivory r1013

| code | finishing | q.kit | q.pack | a | b | c | kg.x1 | vol.x1 |
|------------|-------------------------|-------|--------|------|-----|-----|-------|-------------|
| 110303-244 | ● nero/black | x1 | 2 | 1085 | 453 | 453 | 8.0 | mc. 0.02365 |
| 110304-244 | ● grigio/grey ig2621 | x1 | 2 | 1085 | 453 | 453 | 8.0 | mc. 0.02365 |
| 110305-244 | ● avorio/ivory ral 1013 | x1 | 2 | 1085 | 453 | 453 | 8.0 | mc. 0.02365 |
| 110307-244 | ● corten* | x1 | 2 | 1085 | 453 | 453 | 8.0 | mc. 0.02365 |
| 110310-244 | ● cromato/chrome | x1 | 2 | 1085 | 453 | 453 | 8.0 | mc. 0.02365 |
| 110303-246 | ● nero/black | x1 | 2 | 1085 | 453 | 453 | 8.0 | mc. 0.02365 |
| 110304-246 | ● grigio/grey ig2621 | x1 | 2 | 1085 | 453 | 453 | 8.0 | mc. 0.02365 |
| 110305-246 | ● avorio/ivory ral 1013 | x1 | 2 | 1085 | 453 | 453 | 8.0 | mc. 0.02365 |
| 110307-246 | ● corten* | x1 | 2 | 1085 | 453 | 453 | 8.0 | mc. 0.02365 |

07 tapas-kit gambe tavolo alto con viti + supporto + poggiaiedi nero tapas-kit high table legs with screws + table frame + footrest black

| code | finishing | q.kit | q.pack | a | b | c | kg.x1 | vol.x1 |
|------------|-------------------------|-------|--------|------|-----|-----|-------|-------------|
| 110303-245 | ● nero/black | x1 | 2 | 1085 | 453 | 453 | 8.0 | mc. 0.02365 |
| 110304-245 | ● grigio/grey ig2621 | x1 | 2 | 1085 | 453 | 453 | 8.0 | mc. 0.02365 |
| 110305-245 | ● avorio/ivory ral 1013 | x1 | 2 | 1085 | 453 | 453 | 8.0 | mc. 0.02365 |
| 110307-245 | ● corten* | x1 | 2 | 1085 | 453 | 453 | 8.0 | mc. 0.02365 |
| 110310-245 | ● cromato/chrome | x1 | 2 | 1085 | 453 | 453 | 8.0 | mc. 0.02365 |
| 110303-247 | ● nero/black | x1 | 2 | 1085 | 453 | 453 | 8.0 | mc. 0.02365 |
| 110304-247 | ● grigio/grey ig2621 | x1 | 2 | 1085 | 453 | 453 | 8.0 | mc. 0.02365 |
| 110305-247 | ● avorio/ivory ral 1013 | x1 | 2 | 1085 | 453 | 453 | 8.0 | mc. 0.02365 |
| 110307-247 | ● corten* | x1 | 2 | 1085 | 453 | 453 | 8.0 | mc. 0.02365 |

08 tapas-top rotondo in hpl tapas-round hpl top

| code | finishing | q.kit | q.pack | a | o | kg.x1 | vol.x1 |
|------------|-------------------------|-------|--------|----|-----|-------|------------|
| 120303-021 | ● nero/black | x1 | 5 | 10 | 590 | 4.8 | mc. 0.0072 |
| 120303-022 | ● nero/black | x1 | 5 | 10 | 690 | 6.6 | mc. 0.0098 |
| 120303-023 | ● nero/black | x1 | 5 | 10 | 790 | 8.4 | mc. 0.0128 |
| 120305-021 | ● avorio/ivory ral 1013 | x1 | 5 | 10 | 590 | 4.8 | mc. 0.0072 |
| 120305-022 | ● avorio/ivory ral 1013 | x1 | 5 | 10 | 690 | 6.6 | mc. 0.0098 |
| 120305-023 | ● avorio/ivory ral 1013 | x1 | 5 | 10 | 790 | 8.4 | mc. 0.0128 |

09 tapas-top quadrato in hpl tapas-square hpl top

| code | finishing | q.kit | q.pack | a | b | c | kg.x1 | vol.x1 |
|------------|-------------------------|-------|--------|----|-----|-----|-------|------------|
| 120303-024 | ● nero/black | x1 | 5 | 10 | 590 | 590 | 6.0 | mc. 0.0072 |
| 120303-025 | ● nero/black | x1 | 5 | 10 | 690 | 690 | 8.2 | mc. 0.0098 |
| 120303-026 | ● nero/black | x1 | 5 | 10 | 790 | 790 | 10.7 | mc. 0.0128 |
| 120305-024 | ● avorio/ivory ral 1013 | x1 | 5 | 10 | 590 | 590 | 6.0 | mc. 0.0072 |
| 120305-025 | ● avorio/ivory ral 1013 | x1 | 5 | 10 | 690 | 690 | 8.2 | mc. 0.0098 |
| 120305-026 | ● avorio/ivory ral 1013 | x1 | 5 | 10 | 790 | 790 | 10.7 | mc. 0.0128 |

05 tapas-piedino ellittico 40x20 h30 tapas-elliptical glide 40x20 h30

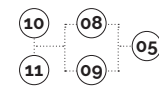
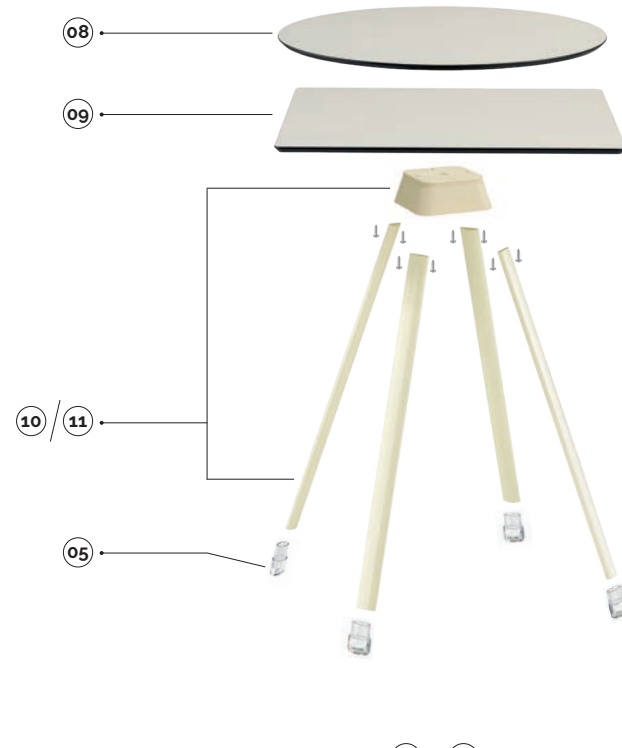
| code | finishing | q.kit | kg.x1 |
|------------|---------------------------|-------|--------------------|
| 134303-045 | ● nero/black | x4 | 0.0174 mc. 0.00003 |
| 134306-005 | ○ trasparente/transparent | x4 | 0.0174 mc. 0.00003 |

Si consigliano le seguenti misure di top:
The following top measures are recommended:

- high table 590 / 690 mm

tapas

low table



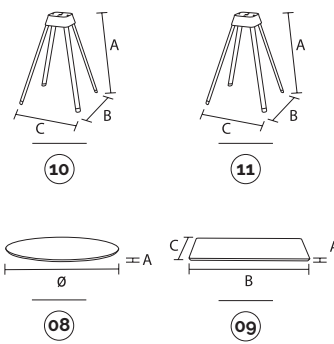
Si consigliano le seguenti misure di top:
The following top measures are recommended:

- low table: 690/ 790 mm

plastic colours

- avorio/ivory ral1013
- nero/black ral9005

Corten
*Specifica caratteristica del Corten è la variabilità nella tonalità della finitura.
* A specific characteristic of Corten is the variability in the tone of the finish.



main component sizes



10 tapas-kit gambe tavolo basso con viti + supporto avorio r1013 tapas-kit low table legs with screws + table frame ivory r1013

| code | finishing | q.kit | q.pack | a | b | c | kg.x1 | vol.x1 |
|------------|-------------------------|-------|--------|-----|-----|-----|-------|-------------|
| 110303-240 | ● nero/black | x1 | 2 | 730 | 530 | 530 | 5.11 | mc. 0.01155 |
| 110304-240 | ● grigio/grey ig2621 | x1 | 2 | 730 | 530 | 530 | 5.11 | mc. 0.01155 |
| 110305-240 | ● avorio/ivory ral 1013 | x1 | 2 | 730 | 530 | 530 | 5.11 | mc. 0.01155 |
| 110307-240 | ● corten* | x1 | 2 | 730 | 530 | 530 | 5.11 | mc. 0.01155 |
| 110310-240 | ● cromato/chrome | x1 | 2 | 730 | 530 | 530 | 5.11 | mc. 0.01155 |
| 110303-242 | ● nero/black | x1 | 2 | 730 | 530 | 530 | 5.11 | mc. 0.01155 |
| 110304-242 | ● grigio/grey ig2621 | x1 | 2 | 730 | 530 | 530 | 5.11 | mc. 0.01155 |
| 110305-242 | ● avorio/ivory ral 1013 | x1 | 2 | 730 | 530 | 530 | 5.11 | mc. 0.01155 |
| 110307-242 | ● corten* | x1 | 2 | 730 | 530 | 530 | 5.11 | mc. 0.01155 |

11 tapas-kit gambe tavolo basso con viti + supporto nero tapas-kit low table legs with screws + table frame black

| code | finishing | q.kit | q.pack | a | b | c | kg.x1 | vol.x1 |
|------------|-------------------------|-------|--------|-----|-----|-----|-------|-------------|
| 110303-241 | ● nero/black | x1 | 2 | 730 | 530 | 530 | 5.11 | mc. 0.01155 |
| 110304-241 | ● grigio/grey ig2621 | x1 | 2 | 730 | 530 | 530 | 5.11 | mc. 0.01155 |
| 110305-241 | ● avorio/ivory ral 1013 | x1 | 2 | 730 | 530 | 530 | 5.11 | mc. 0.01155 |
| 110307-241 | ● corten* | x1 | 2 | 730 | 530 | 530 | 5.11 | mc. 0.01155 |
| 110310-241 | ● cromato/chrome | x1 | 2 | 730 | 530 | 530 | 5.11 | mc. 0.01155 |
| 110303-243 | ● nero/black | x1 | 2 | 730 | 530 | 530 | 5.11 | mc. 0.01155 |
| 110304-243 | ● grigio/grey ig2621 | x1 | 2 | 730 | 530 | 530 | 5.11 | mc. 0.01155 |
| 110305-243 | ● avorio/ivory ral 1013 | x1 | 2 | 730 | 530 | 530 | 5.11 | mc. 0.01155 |
| 110307-243 | ● corten* | x1 | 2 | 730 | 530 | 530 | 5.11 | mc. 0.01155 |

08 tapas-top rotondo in hpl tapas-round hpl top

| code | finishing | q.kit | q.pack | a | ø | kg.x1 | vol.x1 |
|------------|-------------------------|-------|--------|----|-----|-------|------------|
| 120303-021 | ● nero/black | x1 | 5 | 10 | 590 | 4.8 | mc. 0.0072 |
| 120303-022 | ● nero/black | x1 | 5 | 10 | 690 | 6.6 | mc. 0.0098 |
| 120303-023 | ● nero/black | x1 | 5 | 10 | 790 | 8.4 | mc. 0.0128 |
| 120305-021 | ● avorio/ivory ral 1013 | x1 | 5 | 10 | 590 | 4.8 | mc. 0.0072 |
| 120305-022 | ● avorio/ivory ral 1013 | x1 | 5 | 10 | 690 | 6.6 | mc. 0.0098 |
| 120305-023 | ● avorio/ivory ral 1013 | x1 | 5 | 10 | 790 | 8.4 | mc. 0.0128 |

09 tapas-top quadrato in hpl tapas-square hpl top

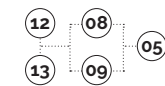
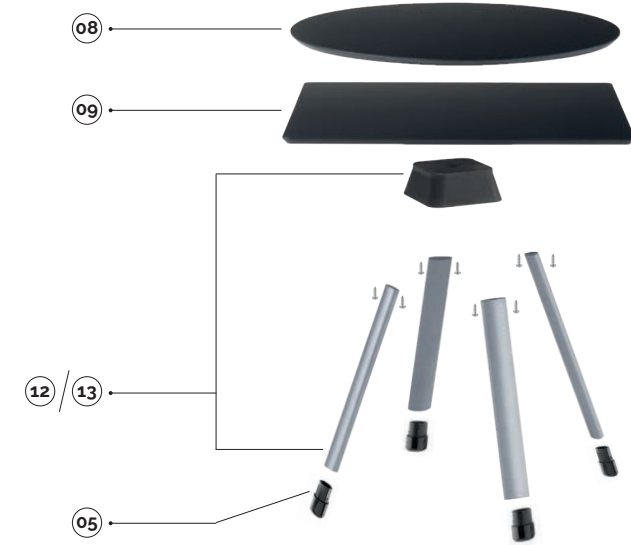
| code | finishing | q.kit | q.pack | a | b | c | kg.x1 | vol.x1 |
|------------|-------------------------|-------|--------|----|-----|-----|-------|------------|
| 120303-024 | ● nero/black | x1 | 5 | 10 | 590 | 590 | 6.0 | mc. 0.0072 |
| 120303-025 | ● nero/black | x1 | 5 | 10 | 690 | 690 | 8.2 | mc. 0.0098 |
| 120303-026 | ● nero/black | x1 | 5 | 10 | 790 | 790 | 10.7 | mc. 0.0128 |
| 120305-024 | ● avorio/ivory ral 1013 | x1 | 5 | 10 | 590 | 590 | 6.0 | mc. 0.0072 |
| 120305-025 | ● avorio/ivory ral 1013 | x1 | 5 | 10 | 690 | 690 | 8.2 | mc. 0.0098 |
| 120305-026 | ● avorio/ivory ral 1013 | x1 | 5 | 10 | 790 | 790 | 10.7 | mc. 0.0128 |

05 tapas-piedino ellittico 40x20 h30 tapas-elliptical glide 40x20 h30

| code | finishing | q.kit | kg.x1 |
|------------|---------------------------|-------|--------------------|
| 134303-045 | ● nero/black | x4 | 0.0174 mc. 0.00003 |
| 134306-005 | ○ trasparente/transparent | x4 | 0.0174 mc. 0.00003 |

tapas

coffee table



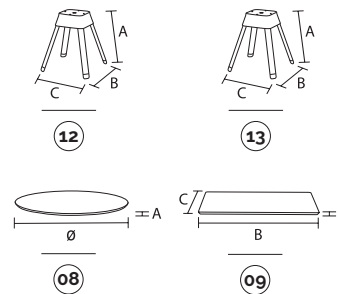
Si consigliano le seguenti misure di top:
The following top measures are recommended:

- coffee table: 590 mm

plastic colours

- avorio/ivory ral1013
- nero/black ral9005

Corten
*Specifica caratteristica del Corten è la variabilità nella tonalità della finitura.
* A specific characteristic of Corten is the variability in the tone of the finish.



main component sizes

12 tapas-kit gambe tavolo caffè' con viti + supporto avorio r1013 tapas-kit coffee table legs with screws + table frame ivory r1013

| code | finishing | q.kit | q.pack | a | b | c | kg.x1 | vol.x1 |
|------------|-------------------------|-------|--------|-----|-----|-----|-------|--------------|
| 110303-248 | ● nero/black | x1 | 2 | 390 | 353 | 353 | 2.92 | mc. 0.006405 |
| 110304-248 | ● grigio/grey ig2621 | x1 | 2 | 390 | 353 | 353 | 2.92 | mc. 0.006405 |
| 110305-248 | ● avorio/ivory ral 1013 | x1 | 2 | 390 | 353 | 353 | 2.92 | mc. 0.006405 |
| 110307-248 | ● corten* | x1 | 2 | 390 | 353 | 353 | 2.92 | mc. 0.006405 |
| 110310-248 | ● cromato/chrome | x1 | 2 | 390 | 353 | 353 | 2.92 | mc. 0.006405 |
| 110303-250 | ● nero/black | x1 | 2 | 390 | 353 | 353 | 2.92 | mc. 0.006405 |
| 110304-250 | ● grigio/grey ig2621 | x1 | 2 | 390 | 353 | 353 | 2.92 | mc. 0.006405 |
| 110305-250 | ● avorio/ivory ral 1013 | x1 | 2 | 390 | 353 | 353 | 2.92 | mc. 0.006405 |
| 110307-250 | ● corten* | x1 | 2 | 390 | 353 | 353 | 2.92 | mc. 0.006405 |

13 tapas-kit gambe tavolo caffè' con viti + supporto nero tapas-kit coffee table legs with screws + table frame black

| code | finishing | q.kit | q.pack | a | b | c | kg.x1 | vol.x1 |
|------------|-------------------------|-------|--------|-----|-----|-----|-------|--------------|
| 110303-249 | ● nero/black | x1 | 2 | 390 | 353 | 353 | 2.92 | mc. 0.006405 |
| 110304-249 | ● grigio/grey ig2621 | x1 | 2 | 390 | 353 | 353 | 2.92 | mc. 0.006405 |
| 110305-249 | ● avorio/ivory ral 1013 | x1 | 2 | 390 | 353 | 353 | 2.92 | mc. 0.006405 |
| 110307-249 | ● corten* | x1 | 2 | 390 | 353 | 353 | 2.92 | mc. 0.006405 |
| 110310-249 | ● cromato/chrome | x1 | 2 | 390 | 353 | 353 | 2.92 | mc. 0.006405 |
| 110303-251 | ● nero/black | x1 | 2 | 390 | 353 | 353 | 2.92 | mc. 0.006405 |
| 110304-251 | ● grigio/grey ig2621 | x1 | 2 | 390 | 353 | 353 | 2.92 | mc. 0.006405 |
| 110305-251 | ● avorio/ivory ral 1013 | x1 | 2 | 390 | 353 | 353 | 2.92 | mc. 0.006405 |
| 110307-251 | ● corten* | x1 | 2 | 390 | 353 | 353 | 2.92 | mc. 0.006405 |

08 tapas-top rotondo in hpl tapas-round hpl top

| code | finishing | q.kit | q.pack | a | ø | kg.x1 | vol.x1 |
|------------|-------------------------|-------|--------|----|-----|-------|------------|
| 120303-021 | ● nero/black | x1 | 5 | 10 | 590 | 4.8 | mc. 0.0072 |
| 120303-022 | ● nero/black | x1 | 5 | 10 | 690 | 6.6 | mc. 0.0098 |
| 120303-023 | ● nero/black | x1 | 5 | 10 | 790 | 8.4 | mc. 0.0128 |
| 120305-021 | ● avorio/ivory ral 1013 | x1 | 5 | 10 | 590 | 4.8 | mc. 0.0072 |
| 120305-022 | ● avorio/ivory ral 1013 | x1 | 5 | 10 | 690 | 6.6 | mc. 0.0098 |
| 120305-023 | ● avorio/ivory ral 1013 | x1 | 5 | 10 | 790 | 8.4 | mc. 0.0128 |

09 tapas-top quadrato in hpl tapas-square hpl top

| code | finishing | q.kit | q.pack | a | b | c | kg.x1 | vol.x1 |
|------------|-------------------------|-------|--------|----|-----|-----|-------|------------|
| 120303-024 | ● nero/black | x1 | 5 | 10 | 590 | 590 | 6.0 | mc. 0.0072 |
| 120303-025 | ● nero/black | x1 | 5 | 10 | 690 | 690 | 8.2 | mc. 0.0098 |
| 120303-026 | ● nero/black | x1 | 5 | 10 | 790 | 790 | 10.7 | mc. 0.0128 |
| 120305-024 | ● avorio/ivory ral 1013 | x1 | 5 | 10 | 590 | 590 | 6.0 | mc. 0.0072 |
| 120305-025 | ● avorio/ivory ral 1013 | x1 | 5 | 10 | 690 | 690 | 8.2 | mc. 0.0098 |
| 120305-026 | ● avorio/ivory ral 1013 | x1 | 5 | 10 | 790 | 790 | 10.7 | mc. 0.0128 |

05 tapas-piedino ellittico 40x20 h30 tapas-elliptical glide 40x20 h30

| code | finishing | q.kit | kg.x1 |
|------------|---------------------------|-------|--------------------|
| 134303-045 | ● nero/black | x4 | 0.0174 mc. 0.00003 |
| 134306-005 | ○ trasparente/transparent | x4 | 0.0174 mc. 0.00003 |

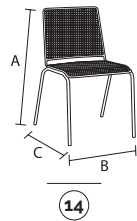


tapas

4-legs/metal shell



Corten
 *Specifica caratteristica del Corten è la variabilità nella tonalità della finitura.
 * A specific characteristic of Corten is the variability in the tone of the finish.



| 14 tapas-4 gambe con scocca in rete tapas-4 legs with expanded metal shell | | | | | | | | | |
|---|----------------|-------------------------------|-------|--------|-----|-----|-----|-------|-----------|
| code | finishing | | q.kit | q.pack | a | b | c | kg.x1 | vol.x1 |
| 110105-367 | ● avorio/ivory | ral.1013 "per esterno/outdoor | x1 | 1 | 805 | 535 | 580 | 5,6 | mc. 0.024 |
| 110107-367 | ● corten* | "per esterno/outdoor | x1 | 1 | 805 | 535 | 580 | 5,6 | mc. 0.024 |

| 15 confezione puntali sferici T118 neri black inner spherical caps T118 package | | | |
|--|--------------|-------|--------|
| code | finishing | q.kit | q.pack |
| 134203-181 | ● nero/black | x4 | 206 |

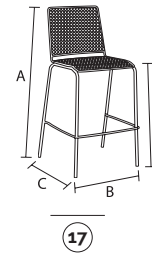
| 16 paracolpi testa piatta duro 12x3,8x6x9 neutro flat head buffer 12x3,8x6x9 neutral | | |
|---|------------------|-------|
| code | finishing | q.kit |
| 134006-102 | ○ neutro/neutral | x4 |

tapas

stool/metal shell



Corten
 *Specifica caratteristica del Corten è la variabilità nella tonalità della finitura.
 * A specific characteristic of Corten is the variability in the tone of the finish.



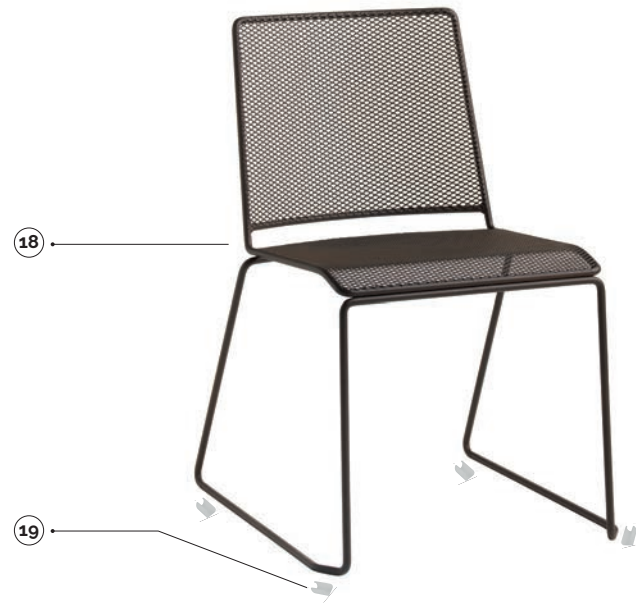
| 17 tapas-sgabello h750 con scocca in rete tapas-stool h750 with expanded metal shell | | | | | | | | | | |
|---|----------------|-------------------------------|-------|--------|------|-----|-----|-----|-------|-----------|
| code | finishing | | q.kit | q.pack | a | b | c | d | kg.x1 | vol.x1 |
| 110105-374 | ● avorio/ivory | ral.1013 "per esterno/outdoor | x1 | 1 | 1100 | 540 | 540 | 750 | 7,8 | mc. 0.048 |
| 110107-374 | ● corten* | "per esterno/outdoor | x1 | 1 | 1100 | 540 | 540 | 750 | 7,8 | mc. 0.048 |

| 15 confezione puntali sferici T118 neri black inner spherical caps T118 package | | | |
|--|--------------|-------|--------|
| code | finishing | q.kit | q.pack |
| 134203-181 | ● nero/black | x4 | 206 |

| 16 paracolpi testa piatta duro 12x3,8x6x9 neutro flat head buffer 12x3,8x6x9 neutral | | |
|---|------------------|-------|
| code | finishing | q.kit |
| 134006-102 | ○ neutro/neutral | x4 |

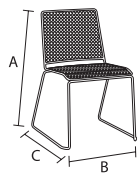
tapas

slide/metal shell



18 19

Corten
 *Specifica caratteristica del Corten è la variabilità nella tonalità della finitura.
 * A specific characteristic of Corten is the variability in the tone of the finish.



18

18 tapas-telaio a slitta in tondino d.12 con scocca in rete
 tapas-slide wire frame d.12 with expanded metal shell

| code | finishing | | q.kit | q.pack | a | b | c | kg.x1 | vol.x1 |
|------------|----------------|-------------------------------|-------|--------|-----|-----|-----|-------|-----------|
| 110505-504 | ● avorio/ivory | ral 1013 *per esterno/outdoor | x1 | 1 | 805 | 520 | 595 | 7.7 | mc. 0.036 |
| 110507-504 | ● corten* | *per esterno/outdoor | x1 | 1 | 805 | 520 | 595 | 7.7 | mc. 0.036 |

19 confezione di basi a pinza antirotazione per tondino colore neutro
 neutral clips base for wire d.11 package

| code | finishing | q.kit | q.pack |
|------------|------------------|-------|--------|
| 137006-070 | ○ neutro/neutral | x4 | 200 |





download here
Tapas Catalogue

alba.

alba.it

Alba is a brand by Metalmeccanica Alba srl

via Boschier, 54/A
31020 San Zenone degli Ezzelini (TV)
info@alba.it
T. +39 0423 969700