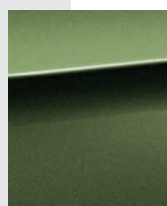




vicenza



vicenza



slide

4 legs
4 legs w/armrests
4 legs w/writing tablet

swivel

bench



EN 16139

tools



certification

vicenza showing

features



trolley available



La seduta dal **design minimal** ed **essenziale**.

La scocca in plastica, disponibile in vari colori, è abbinabile a un'ampia e completa serie di telai, che la rendono **adatta ad ambienti diversi, soprattutto Community**.

È impilabile e disponibile anche con agganci laterali e nella versione con tavoletta.

Chair with a **minimal and essential design**.

The plastic seat shell is available in a selection of colours, and can be combined with a wide and complete series of frames, thus making it **suitable for different environments, especially Community settings**.

It is stackable and also available with lateral hooks and in a version with writing tablet.

vicenza

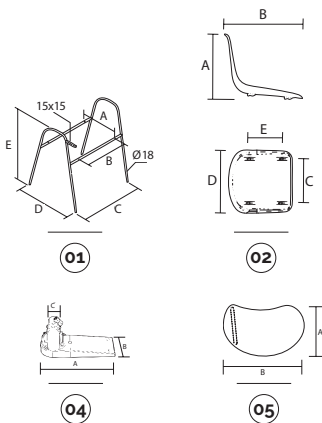
4-legs



plastic colours

- rosso/red ral 3002
- nero/black
- blu/blue ral 5002

main component sizes



01 vicenza-sgabello per scocca vicenza con porta tav. e bracc. in tubo ø18 tappi montati
vicenza-stool for vicenza with mechanism for little table and arms shell pipe ø18 inner feet caps assembled

code	finishing	q.kit	q.pack	a	b	c	kg.x1	vol.x1
111903-007	● nero/black	x1	80	480	440	610	2.0	mc. 0.017
111910-012	● cromato/chrome	x1	80	480	440	610	2.0	mc. 0.017

02 vicenza-scocca intera
vicenza-plastic shell

code	finishing	q.kit	q.pack	a	b	c	d	e	kg.x1	vol.x1
133902-002	● rosso/red ral 3002	x2	12	395	470	315	430	255	1.30	mc. 0.014

03 confezione viti hilo d.5x35 testa svasata a croce zincate (vite fissaggio scocca)
screws auto-thread 5x35 flared cross head zinc for shell fixing package

code	finishing	q.kit	q.pack
117011-070	● zincata/zinc	x4	200

04 spt2-snodo per tavoletta in tempoplastica
spt2-mechanism for writing tablet

code	finishing	q.kit	q.pack	a	b	c	kg.x1	vol.x1
134003-039	● nero/black	x1	20	180	66	15x15	0.35	mc. 0.0006

05 bean-tavoletta in termoplastico spessore 16 mm
bean-writing tablet in plastic thickness 16 mm

code	finishing	q.kit	q.pack	a	b	kg.x1	vol.x1
134003-044	● nero/black	x1	20	235	370	0.40	mc. 0.002



vicenza-carrello portasedie con accessori nero
vicenza-trolley for chairs with accessories black

code	finishing
110803-365	● nero/black



for all colour codes, see page 93

TLT tablet TLT2 tablet TLT3 tablet BEAN tablet TL02 tablet SPT2 mechanism tablet SPTA mechanism antipanic



for writing tablet options, see page 192/193

vicenza

frame options



06

07

08

09



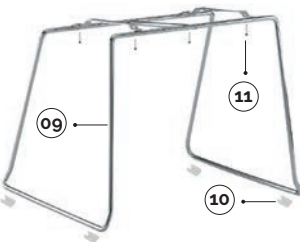
06



07



08



09

11

10

06 vicenza-sgabello per scocca con braccioli in tubo ø18 tappi sottopiede montati
vicenza-stool with arms for shell pipe ø18 inner feet caps assembled

code	finishing	q.kit	q.pack	a	b	c	d	e	kg.x1	vol.x1
111903-003	● nero/black	x1	80	255	315	486	500	630	2,50	mc. 0,040
111910-010	● cromato/chrome	x1	80	255	315	486	500	630	2,50	mc. 0,040

07 vicenza-sgabello per scocca con aggancio in tubo tappi sottopiede montati
vicenza-stool with hook for shell pipe inner feet caps assembled

code	finishing	diameter	q.kit	q.pack	a	b	c	d	e	f	kg.x1	vol.x1
111903-001	● nero/black	18	x1	200	255	315	500	480	460	438	1,90	mc. 0,020
111910-002	● cromato/chrome	18	x1	200	255	315	500	480	460	438	1,90	mc. 0,020
111903-249	● nero/black	20	x1	200	255	315	505	484	460	438	2,05	mc. 0,020
111910-249	● cromato/chrome	20	x1	200	255	315	505	484	460	438	2,05	mc. 0,020
111903-253	● nero/black	22	x1	200	255	315	510	484	460	438	2,30	mc. 0,020
111910-253	● cromato/chrome	22	x1	200	255	315	510	484	460	438	2,30	mc. 0,020

08 vicenza-sgabello per scocca in tubo tappi sottopiede montati
vicenza-stool for shell pipe inner feet caps assembled

code	finishing	diameter	q.kit	q.pack	a	b	c	d	e	f	kg.x1	vol.x1
111903-002	● nero/black	18	x1	200	255	315	500	478	460	438	1,85	mc. 0,020
111910-001	● cromato/chrome	18	x1	200	255	315	500	478	460	438	1,85	mc. 0,020
111903-248	● nero/black	20	x1	200	255	315	505	484	460	438	2,00	mc. 0,020
111910-248	● cromato/chrome	20	x1	200	255	315	505	484	460	438	2,00	mc. 0,020
111903-252	● nero/black	22	x1	200	255	315	510	484	460	438	2,25	mc. 0,020
111910-252	● cromato/chrome	22	x1	200	255	315	510	484	460	438	2,25	mc. 0,020

09 filo-telaio in tondino d.11
filo-slide wire frame d.11

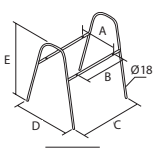
code	finishing	q.kit	q.pack	a	b	c	kg.x1	vol.x1
113410-010	● cromato/chrome	x1	100	470	540	480	3,10	mc. 0,04

10 confezione di basi a pinza antirotazione per tondino colore neutro
neutral clips base for wire d.11 package

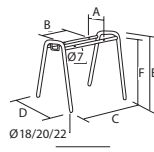
code	finishing	q.kit	q.pack
137006-070	○ neutro/neutral	x4	200

11 vite autoflettante truciolare tc* ø 5,5x19 per fissaggio sedile
screw chipboard tc* ø 5,5x19 for fixing seat

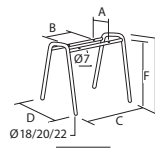
code	finishing	q.kit
117811-180	○ zincata/zinc	x4



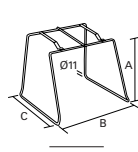
06



07



08



09

vicenza

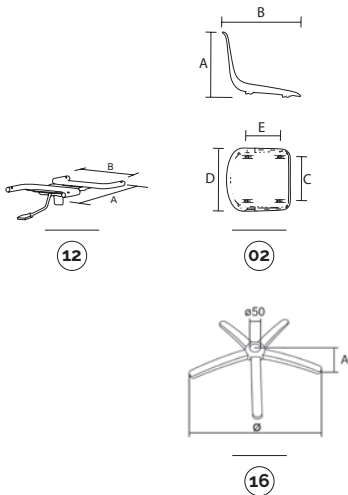
swivel



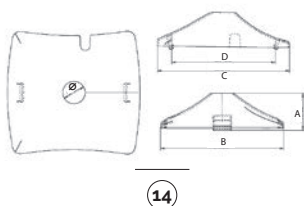
plastic colours

- rosso/red ral 3002
- nero/black
- blu/blue ral 5002

main component sizes



optional



12 02 03 13 14 16
optional

12 vicenza gnr-supporto girevole a gas senza accessori
vicenza gnr-swivel metal frame for gas lift without accessories

code	finishing	q.kit	q.pack	a	b	kg.x1	vol.x1
110903-006	● nero/black	x1	10	315	255	1,40	mc. 0.004

02 vicenza-scocca intera
vicenza-plastic shell

code	finishing	q.kit	q.pack	a	b	c	d	e	kg.x1	vol.x1
133902-002	● rosso/red ral 3002	x2	12	395	470	315	430	255	1,30	mc. 0.014

03 confezione viti hilo d.5x35 testa svasata a croce zincate (vite fissaggio scocca)
screws auto-thread 5x35 flared cross head zinc for shell fixing package

code	finishing	q.kit	q.pack
117011-070	● zincata/zinc	x4	200

13 confezione tappi copritesta d.18 neri
black cover head caps d.18 package

code	finishing	q.kit	q.pack
137003-070	● nero/black	x4	200

14 cpg-copertina in plastica per telaio girevole
cpg-plastic cover for swivel frame

code	finishing	q.kit	q.pack	a	b	c	d	ø	kg.x1	vol.x1
130903-000	● nero/black	x1	50	60	200	210	167	36	0,1	mc. 0.0015

16 b40 base in metallo d.640 con coprisaldatura
b40 metal base d.640 with cover welding

code	finishing	q.kit	q.pack	a	ø	kg.x1	vol.x1
110210-027	● cromato/chrome	x1	5	60	640	2,85	mc. 0.014

CPG
plastic cover for swivel frame



for all colour codes, see page 93

vicenza

bench



plastic colours

- rosso/red ral 3002
- nero/black
- blu/blue ral 5002

15 02 03 13

main component sizes



15

15 supporto per attacco scocca vicenza su panca
bench frame for pull shell

code	finishing	q.kit	q.pack	a	b	kg.x1	vol.x1
110703-016	● nero/black	x1	10	315	255	1.40	mc. 0.004

for the components below, see page 28

02 03 13



for all colour codes, see below

for the bench components, see page 201

optionals

OPTIONAL bench connector	E-USB NEW bench plug	JIM NEW bench leg	APOLL bench arm	90GM bench leg	90GF bench leg	100GM bench leg	200GM bench leg	PIONEER bench arm	CUT bench leg	SLIM bench leg	CUT bench arm	SLIM bench arm
		plastic		metal					aluminium			

vicenza

optional colour codes

shell colour codes



02 scocche in plastica
plastic shells

- 133902-002 rosso/red ral 3002
- 133903-001 nero/black
- 133915-005 blu/blue ral 5002

