



## TEST REPORT: 4787494373.1 Rev. 1

This test report replaces the test report N° 4787494373.1 issued on 21/6/2016

### APPLICANT

**Name:** Metalmeccanica Alba S.r.l.  
**Address:** Via Boschier, 54/A, Località Ca'  
Rainati  
San Zenone degli Ezzelini, TV  
31020 Italy



**Product:** Logan

### DATE

**Sample in:** 15/6/2016  
**Tests start:** 15/6/2016  
**Tests end:** 27/6/2016  
**Report issue:** 28/6/2016

### OVERALL DIMENSIONS:

<b>Measured:</b>	<b>Depth:</b> 560 mm;	<b>Height:</b> 785 mm
	<b>Width:</b> 585 mm	<b>Weight:</b> 6,9 kg
<b>Nominal:</b>	<b>Depth:</b> ND	<b>Height:</b> ND
	<b>Width:</b> ND	<b>Weight:</b> ND
<b>Sample number</b>	348072	<b>Order Number:</b> 11324710

### REFERENCE STANDARD

**ANSI/BIFMA X5.1:2011 General-Purpose Office Chairs - Tests.**

NOTE: On customer's request. Only the test listed in this report have been performed.

**Defect before test: NO DEFECT**

**Tests have been performed on a temperature of  $21 \pm 2$  °C**

**The backrest tested is PIVOT: NO**

**The sample is classified as Type: III**

**Technician**  
Rodolfo Sala

**Laboratory Manager**  
Deputy Giancarlo Busato

*Note: any copy, even partial, of this report, and any change or alteration to it are strictly forbidden.  
The test results listed in this report are relevant only for the tested sample. Sampling performed by the customer.*

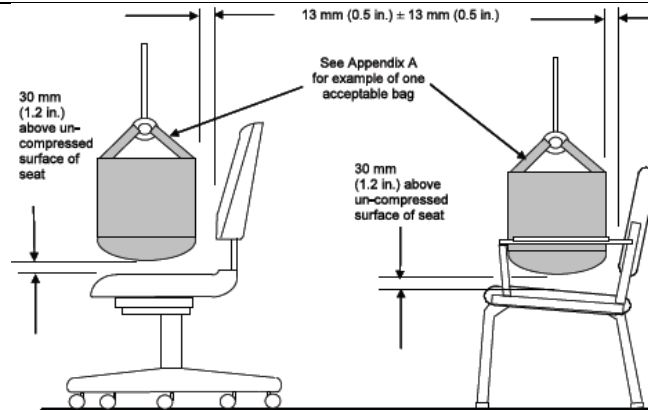


TEST REPORT: 4787494373.1 Rev.1

Issued on: 28/6/2015

Seating Durability Tests – Cyclic ANSI/BIFMA X5.1:2011 Par. 11

Impact Test ANSI/BIFMA X5.1:2011 Par. 11.3

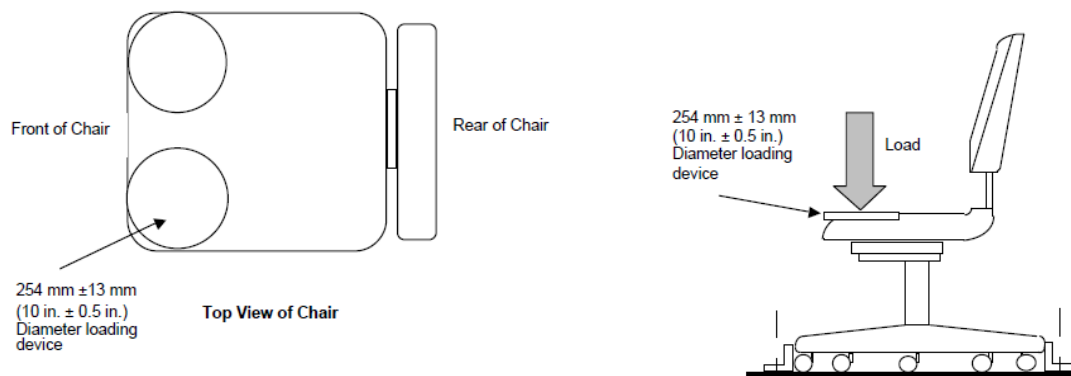


Adjustment devices have been set on the normal condition  
 Minimum thickness of cushiony materials of seat: 0 mm  
 Thickness of additional foam: 50 mm (IFD al 25% di 200 N ± 22 N)  
 Distance between the bag and the backrest: 13 mm

Weight of bag (kg)	Height of fall (mm)	N° cycle	Cycle frequency (cycle / minute)	Rating
57	25	100.000	10	P

Note:

Front Corner Load-Ease Test – Cyclic – Off-center ANSI/BIFMA X5.11:2015 Par. 11.4



Seating load (N)	Cycles	Cycle frequency (cycle / minute)	Rating
734	40.000	15	P

Note:



**TEST REPORT: 4787494373.1 Rev.1**

**Issued on: 28/6/2015**

**Legend:**

- P** = PASS, the sample MEETS the standard requirement.
- F** = FAIL, the sample DOES NOT MEET the standard requirement.
- NA** = NON APPLICABILE, the requirement/test IS NOT APPLICABLE to the sample.
- NR** = NOT REQUESTED, On Customer request the test is NOT PERFORMED.
- NP** = General note (see details).
- ND** = NOT DECLARED.
- //** = The rating of test CANNOT BE EXPRESSED, see details in test report